

60L



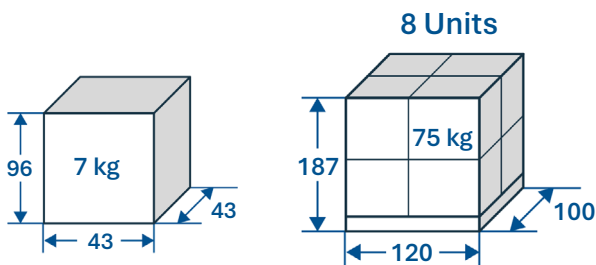
100%
Recyclable

Órbita Bin

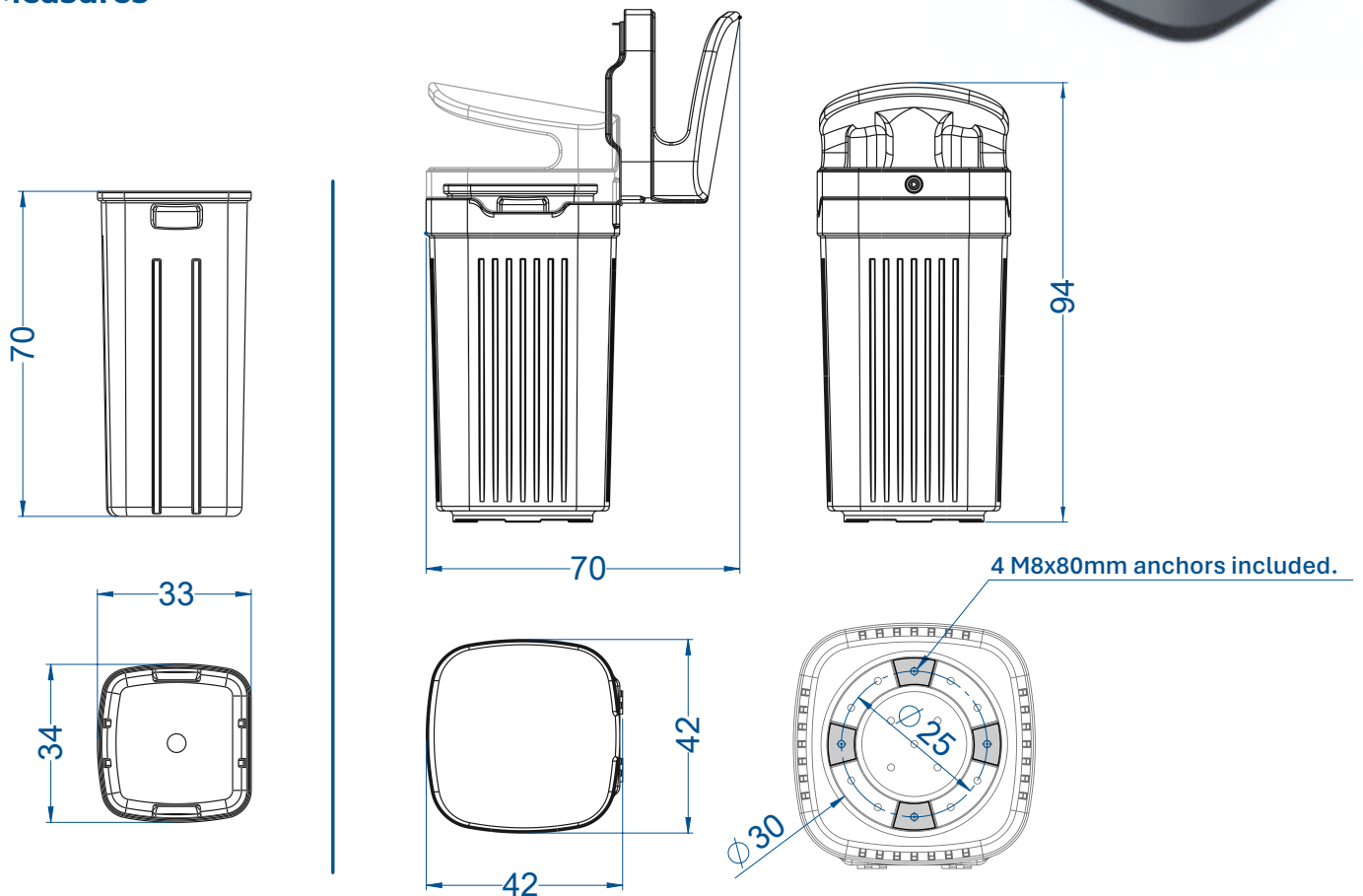
Features

- Body and removable bucket made of 100% recyclable high-density polyethylene.
- Triangular key lock made of nickel-plated zamak and polyamide hinges.
- Rough, vandal-proof exterior finish with UV protection.
- Floor fixing with 4 supplied M8 expansion anchors.

Freight measures



Measures



Molder
Disnova
Composites

molderdisnova.com
comercial@molderdisnova.com

(+34) 961 240 136